

Elevate II

Floor Standing Kiosk (Metal Enclosure)

Assembly Instructions

Contents

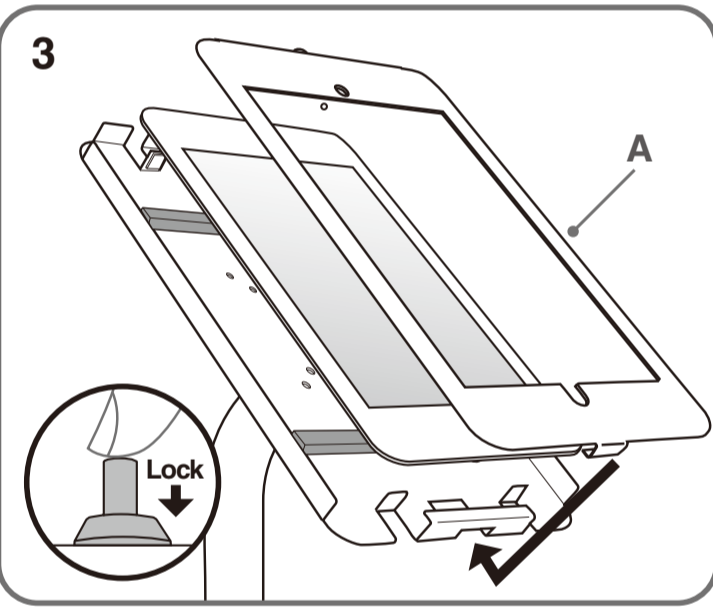
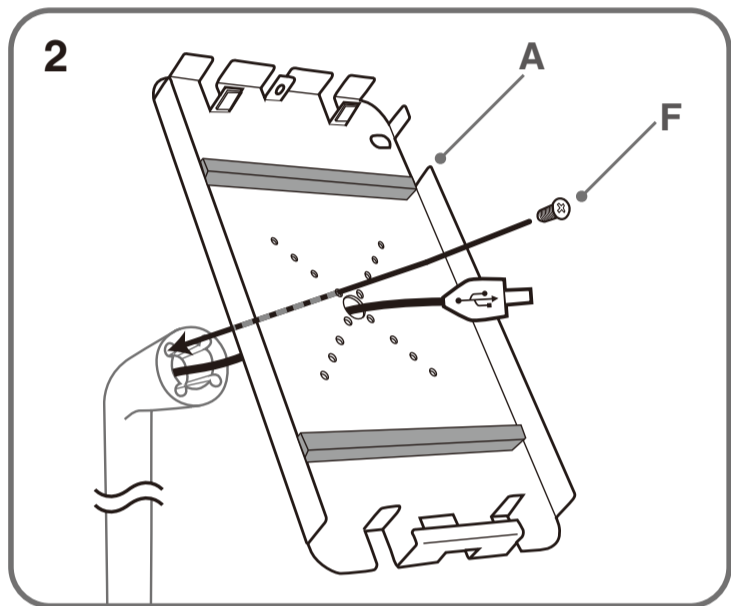
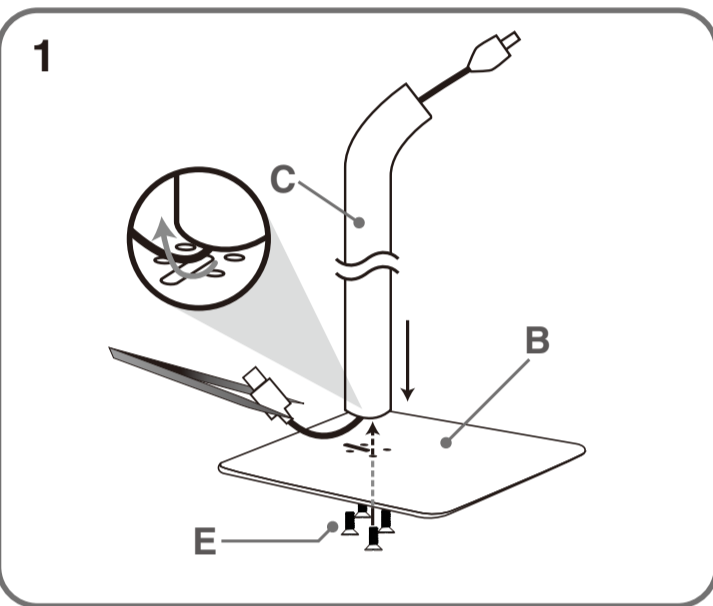
A	x1	
B	x1	
C	x1	

D	x1	
E	x1	
F	x4	

Tools required



Assembly Instructions



Optional 90° Module Assembly Instructions

Contents

J	x1	
K	x4	

