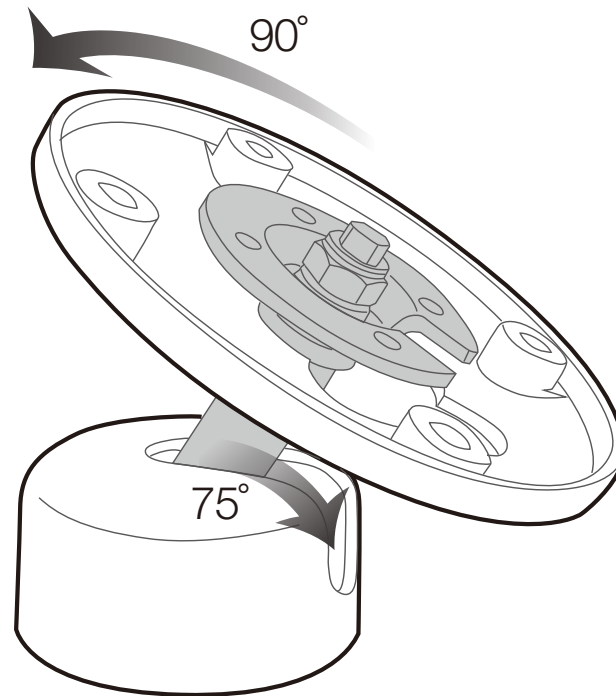


Elevate II

Tilting & Rotating Module

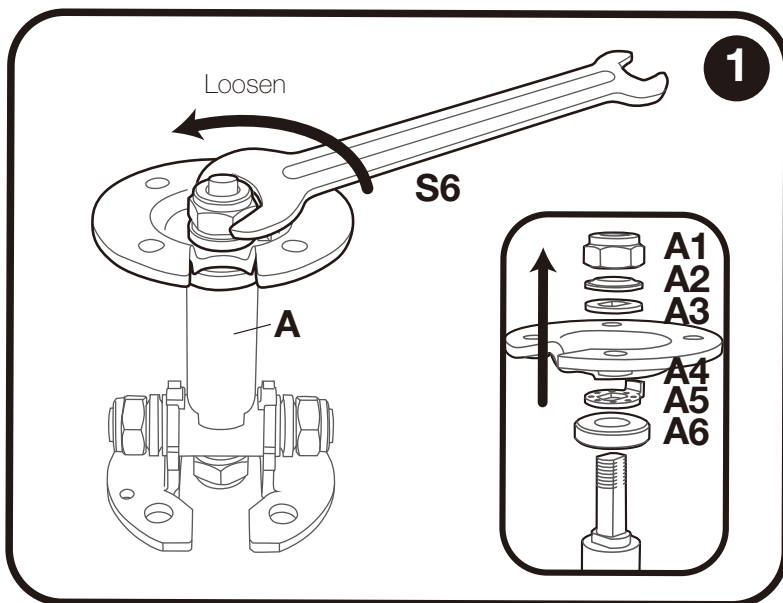
Assembly Instructions



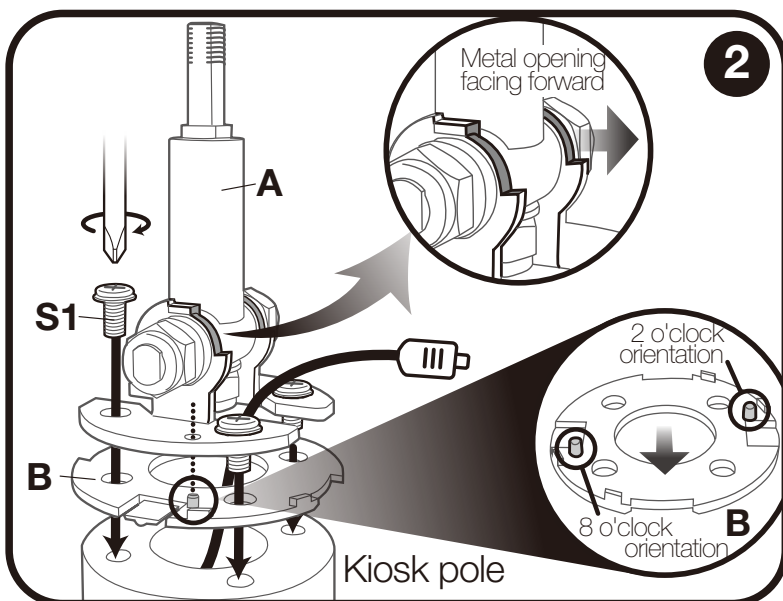
Contents

<p>A x1</p> <p>A1 </p> <p>A2 </p> <p>A3 </p> <p>A4 </p> <p>A5 </p> <p>A6 </p>				<p>B x1 </p> <p>C x1 </p>	
<p>D x1 </p>					
<p>S1</p> <p>x4</p>	<p>S2</p> <p>x4</p>	<p>S3</p> <p>x4</p>	<p>S4</p> <p>x4</p>	<p>S5</p> <p>x8</p>	<p>S6</p> <p>x1</p>

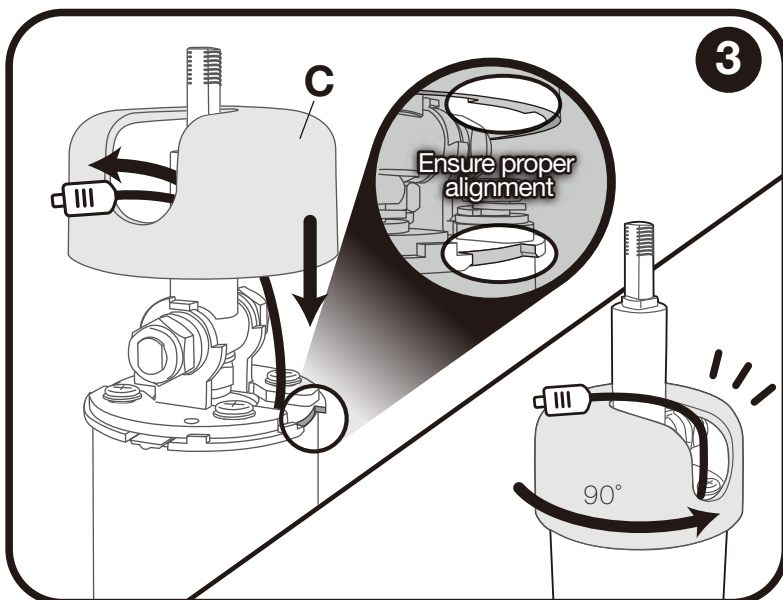
Installation / User manual



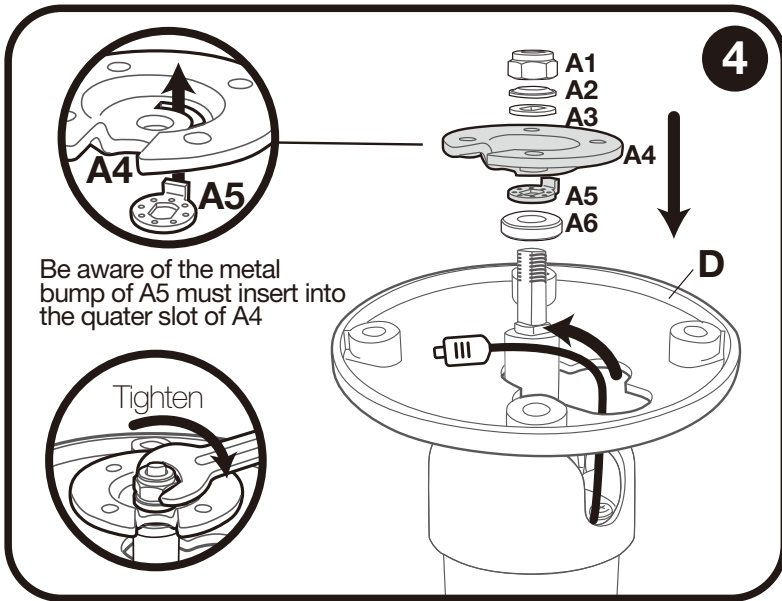
Using the included wrench(S6), loosen nut (A1) and remove all pieces (A1-A6).



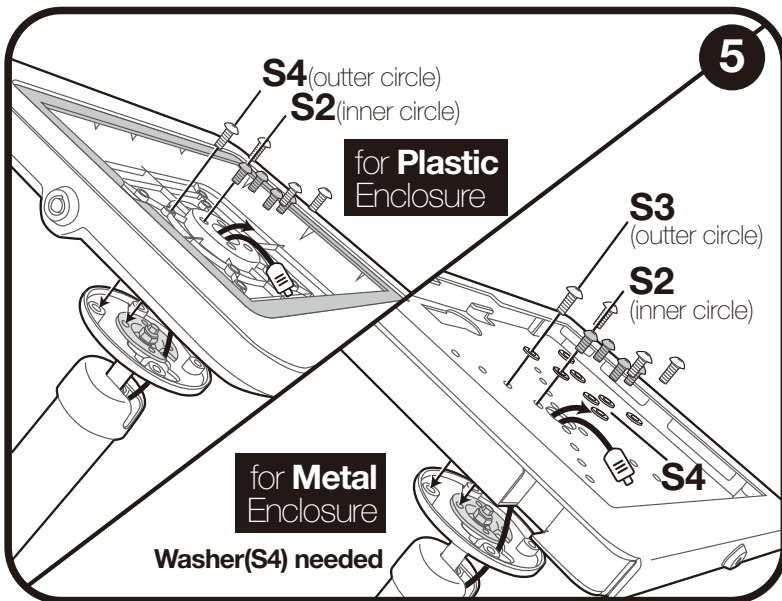
Place hinge (A) on top of plastic washer (B) & Kiosk pole. Install the 4 screws (S1) into the pole neck to secure the hinge down. Pull the cable out through the central hole of the kiosk and module.



Install the hinge shroud (C) ensuring the bottom bumper meets the plastic washer gap (B), then turn the shroud 90 degrees counter-clockwise until it is locked.



Slide the cover (D) onto the hinge, then reinstall and tighten all hardware (A1-A6) in the order shown.



Align the 4 inner holes to install the hinge and second circle of the 4 holes to install the enclosure with the corresponding screws.