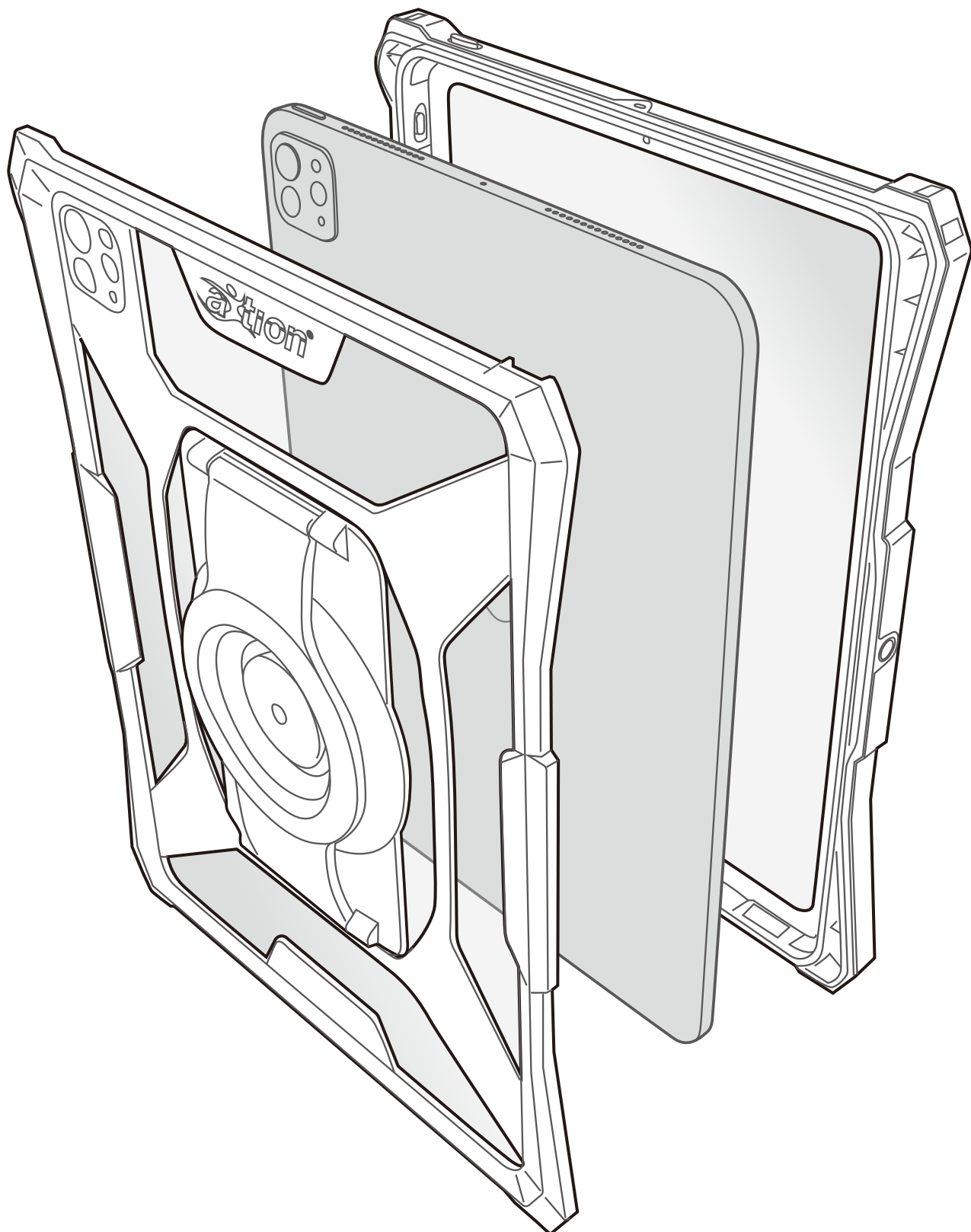


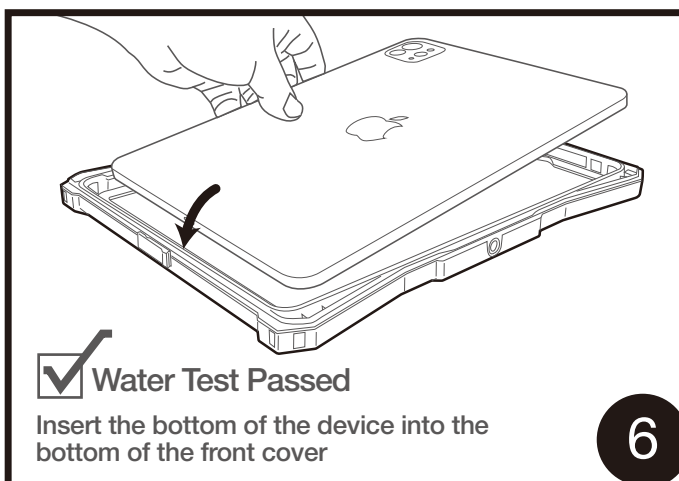
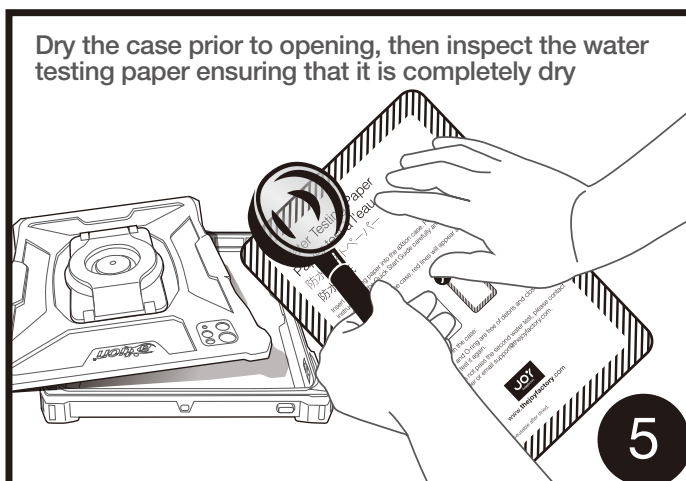
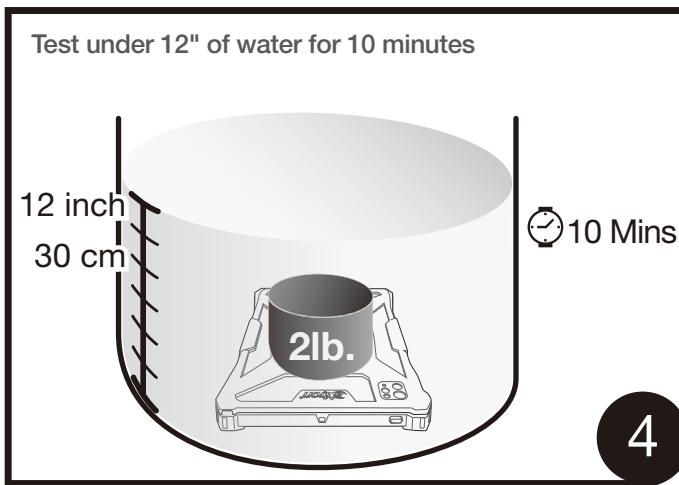
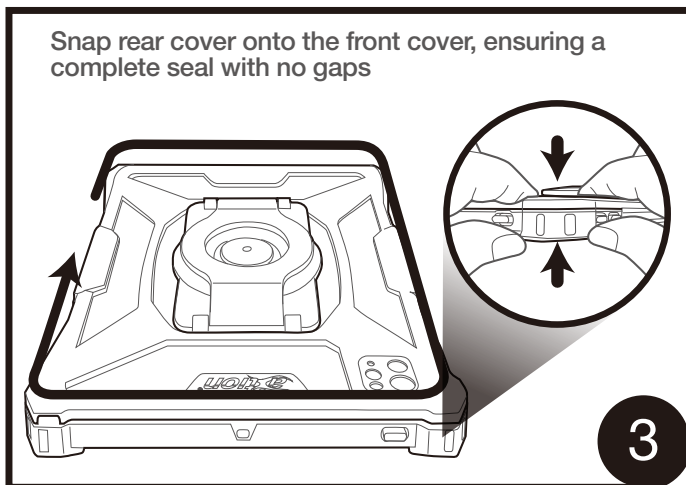
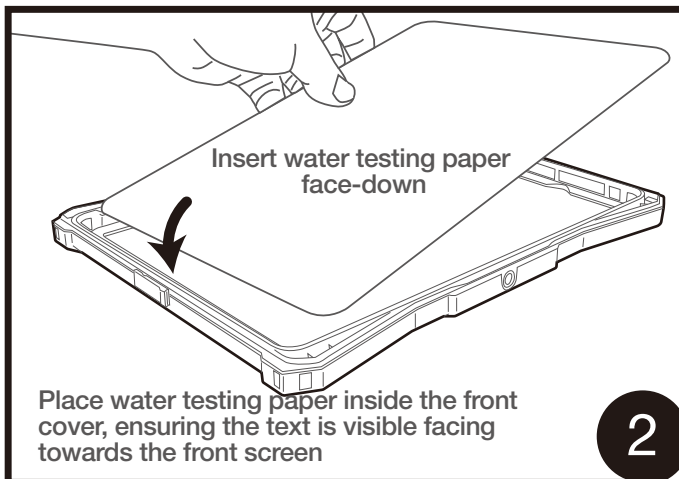
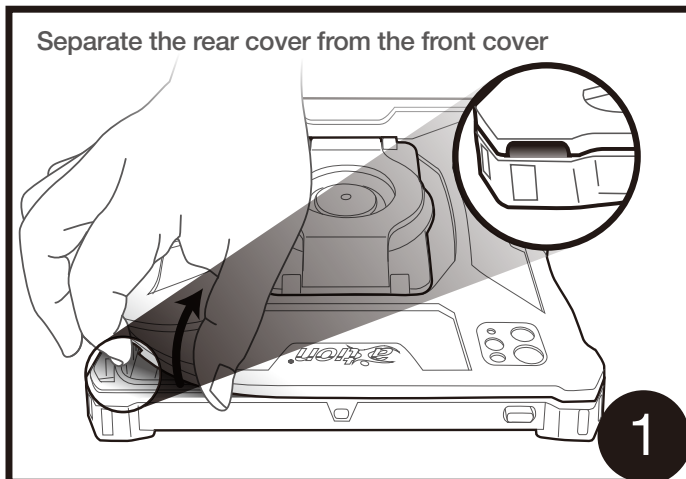
action[®] slim **MH**

— Installation Guide Guide d'installation ご利用ガイド —



action[®] slim MH

Installation Guide Guide d'installation ご利用ガイド





Cleaning Instructions for aXtion Slim

We recommend cleaning the case after every use cycle. Most hospital-grade disinfectantwipes with high alcohol concentrate are safe to use on the **aXtion Slim** case. A few that we recommend are:

- Sani-Cloth AF3
- Super Sani-Cloth
- Cavi-Wipes
- Clorox Healthcare Bleach Germicidal Wipes
- Oxivir TB

Follow these steps:

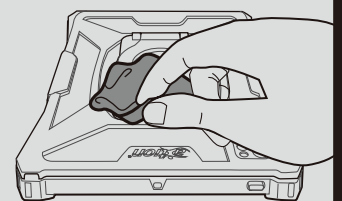
1. Clean the back cover with a hospital-grade wipe, using a small stroking motion. Pay special attention to the crevices.
2. Use a new hospital-grade wipe to clean the front cover and screen protector.
3. Let the case air dry before using.

Safe Cleaning with Approved Chemicals

The aXtion Slim case has been tested with several common cleaning chemicals and is safe to use with a dry cloth for wiping. To keep the case in good condition, avoid prolonged contact, soaking, or letting the cloth stay in one spot for too long.

Compatible chemicals include:

- Alcohol
- Detergent
- Stain Remover Oil
- Bleach

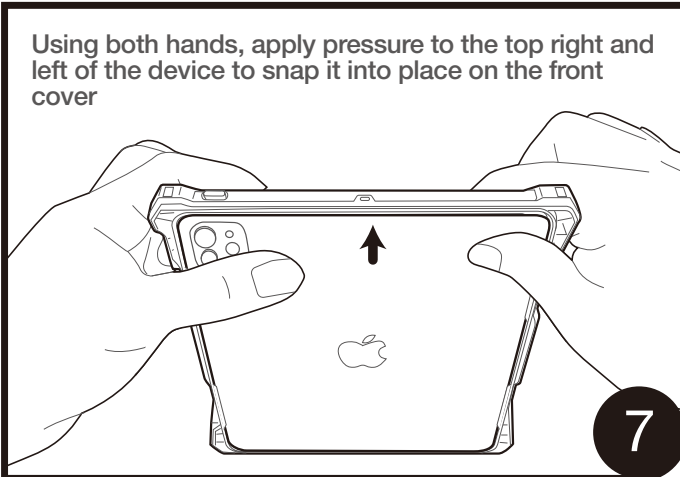


* Hospital-grade disinfectant wipes may have more detailed instructions for use. Please refer to the manufacturer's instructions.

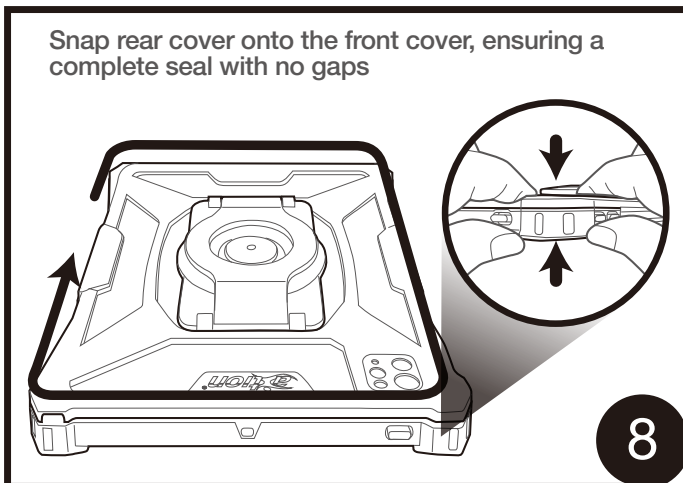
* These instructions are **only** for cleaning cases by The Joy Factory. To clean the tablet, please refer to the manufacturer's instructions.

Contact us | support@thejoyfactory.com

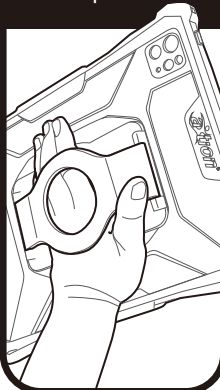
Using both hands, apply pressure to the top right and left of the device to snap it into place on the front cover



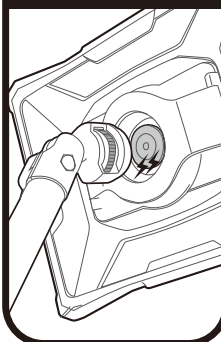
Snap rear cover onto the front cover, ensuring a complete seal with no gaps



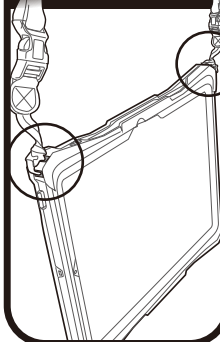
Hand Strap
Compatible



MagConnect
Mount
Compatible



Shoulder
Strap
Compatible





DISCLAIMER FOR aXtion® Slim Military Grade and Waterproof & Dustproof Certified Cases

Congratulations on the purchase of your new aXtion Slim case from The Joy Factory Inc!

BEFORE USE READ ALL INSTRUCTIONS CAREFULLY. IMPROPER USE OF THE CASE COULD RESULT IN DAMAGE TO YOUR DEVICE.

This aXtion Slim case is designed only for the device type listed on the box. Thus it is only intended for and only warranted for proper use with that specific tablet and not for use with another device type. Because different generations of tablets have different specifications, please refer to the packaging for your aXtion Slim case to determine whether your tablet will be compatible with the aXtion Slim case you have purchased.

If you are not certain whether the device you intend to use with the aXtion Slim case is compatible with the tablet model you have, please contact the company from which you purchased the device or the manufacturer of the device to determine whether it is a model supported by this aXtion Slim case.

All aXtion Slim cases are certified IP68 waterproof and dustproof. If you have any questions about whether your case will protect against water in certain situations, contact The Joy Factory prior to using the case in those situations. The IP68 rating means that the aXtion Slim case is certified as “dust tight” (that is, no dust will enter the case when it is properly installed and used). All aXtion Slim cases are also designed to be shock resistant. That is, these cases are designed to provide a degree of confidence that your aXtion Slim case can physically and functionally withstand the relatively infrequent, non-repetitive shocks encountered in various environments.

It is critical that before using your aXtion Slim case with your device, you first perform a waterproof test without your device in the case. It is especially important to ensure the case is properly closed when exposing it to water. An improperly closed case will render it non-waterproof and will damage the device. Do not use your aXtion Slim case with your device without first ensuring you are readily familiar with your aXtion Slim case and how it functions.

If the aXtion Slim case is damaged or not functioning properly for any reason; immediately stop use. The Joy Factory expressly disclaims all liability and all warranties, whether expressed or implied, for use of an aXtion Slim case that has been damaged for any reason. The case is covered under our one year manufacturing warranty and can be replaced free of charge for any manufacturing defects. If you believe the case has a manufacturing defect, cease use immediately and contact The Joy Factory by email at support@thejoyfactory.com or by telephone at (949) 216-8888, Monday through Friday, 9:00 a.m. to 5:00 p.m., Pacific Standard Time. The Joy Factory will not replace an aXtion Slim case that is damaged, other than one with a manufacturing defect, The Joy Factory is not liable to replace or pay for replacement of your device or any additional items which may be damaged from use of a case with manufacturing defects.

The Joy Factory disclaims all liability for lost aXtion Slim cases and any device stored in a lost case.

Do not use your aXtion Slim case with any other case or bumper. Use of an additional case or bumper will render the aXtion Slim Case non-waterproof, and The Joy Factory disclaims all liability from such use and will void any and all warranties, expressed or implied.

Any alteration to your aXtion Slim case will void any and all warranties and guarantees, whether expressed or implied, and The Joy Factory disclaims any and all liability for damages arising from use of an altered aXtion Slim case.

Using the aXtion Slim case with any other device could lead to an improper seal of the case and will render the case non-waterproof. The Joy Factory disclaims all liability and all warranties, whether expressed or implied, for use of the aXtion Slim case with any other device.